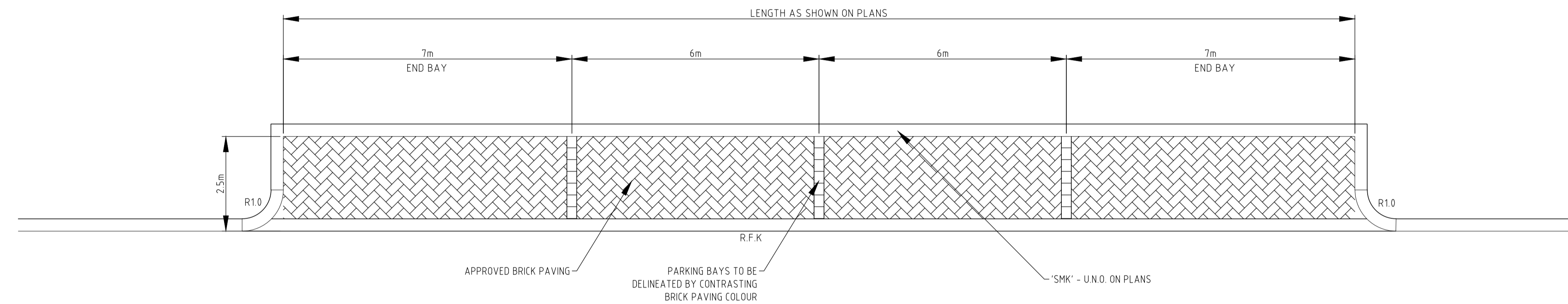
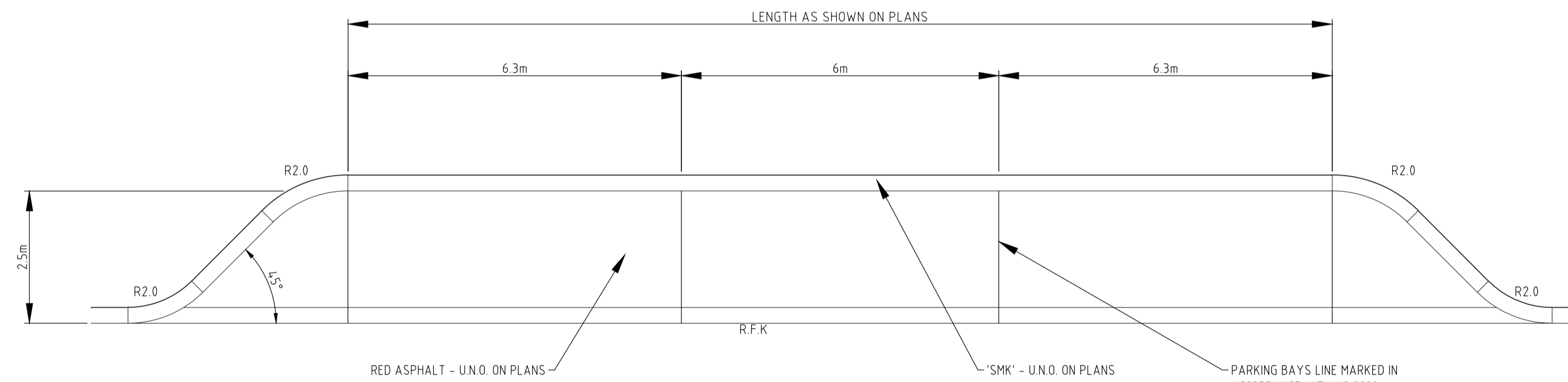


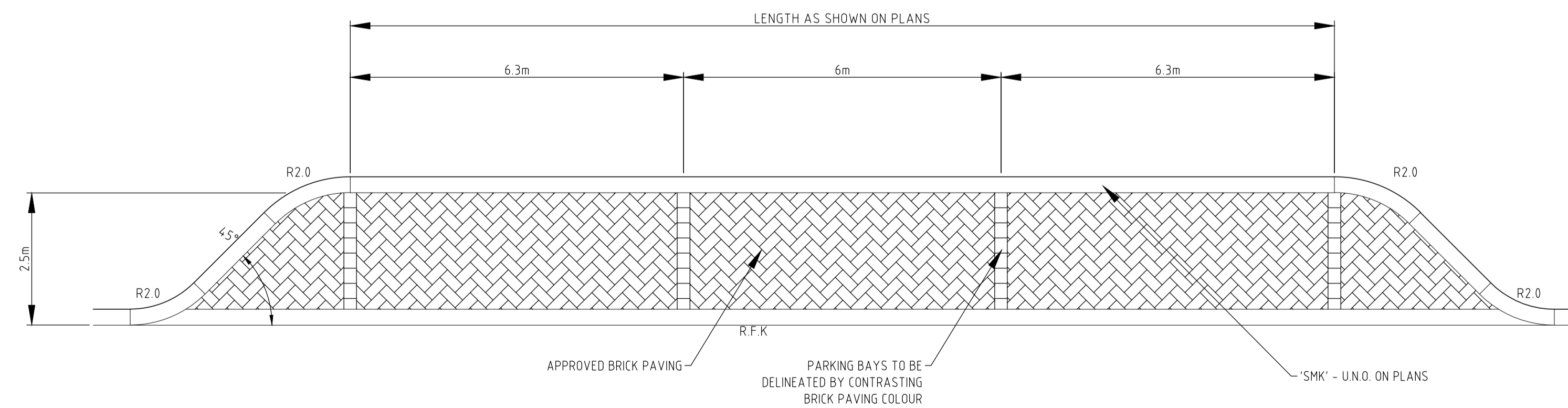
TYPICAL RIGHT ANGLED ASPHALT CARBAY LAYOUT  
SCALE 1:75



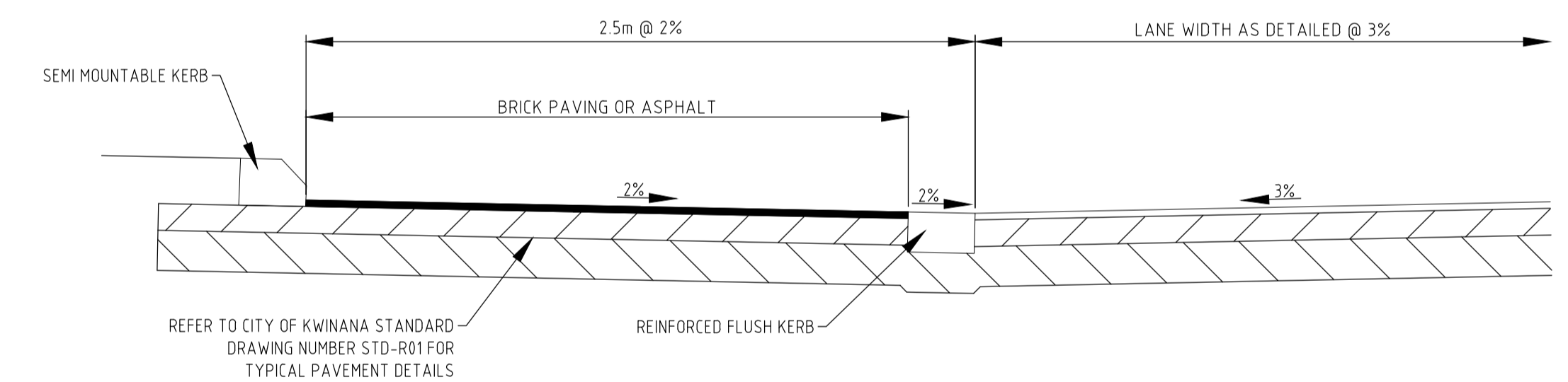
TYPICAL RIGHT ANGLED BRICK PAVED CARBAY LAYOUT  
SCALE 1:75



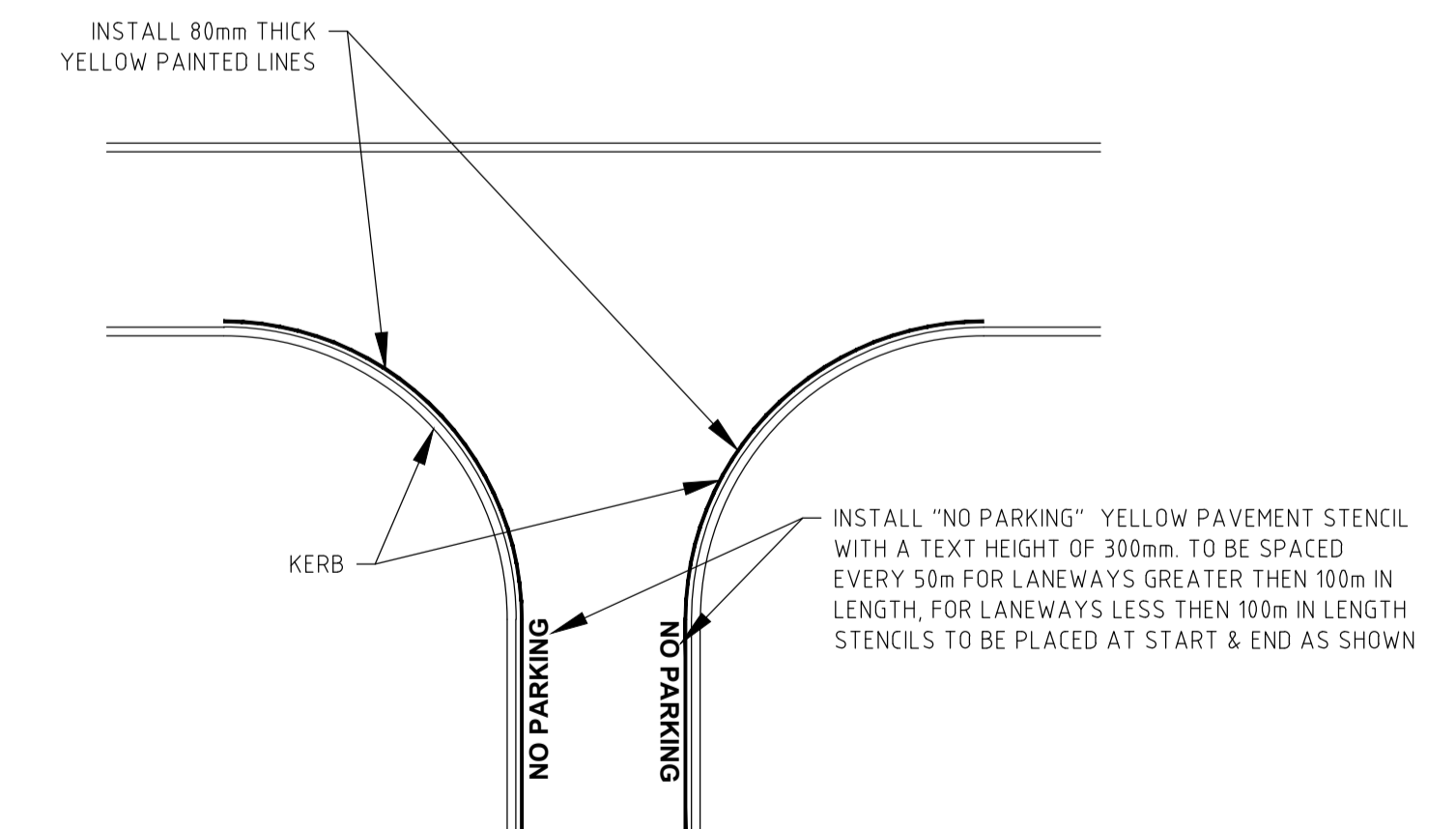
TYPICAL 45° ENTRY ANGLE ASPHALT CARBAY LAYOUT  
SCALE 1:75



TYPICAL 45° ENTRY ANGLE BRICK PAVED CARBAY LAYOUT  
SCALE 1:75



TYPICAL CARBAY SECTION  
SCALE 1:20



TYPICAL "NO PARKING"  
LINEMARKING FOR LANEWAYS  
SCALE 1:250

REV	DATE	DESCRIPTION	DRAWN
C	07/19	PARALLEL BAYS WITH 45° ENTRY ANGLE ADDED	J.M
B	06/19	REVIEW COMPLETED & DRAFTING AMENDMENTS MADE	J.M
A	06/18	ADOPTED BY CITY OF KWINANA	J.M

ASSOCIATE CONSULTANT:



PROJECT:  
**STANDARD DETAILS  
TYPICAL CARBAYS**

PHONE: (08) 9439 0200 ADDRESS: Cnr Gilmore Avenue and Sulphur Road, Kwinana WA 6167  
 FAX: (08) 9439 0222  
 EMAIL: admin@kwinana.wa.gov.au  
 WEB: http://www.kwinana.wa.gov.au

SCALE: AS SHOWN (A1)  
 DESIGN: S.S CHECK: R.N  
 DRAWN: J.M DATE: 06/18  
 AUTHORISED (MANAGER ENGINEERING SERVICES):  
 R.NAJAFZADEH

DRAWING TITLE:  
**STANDARD DETAILS  
TYPICAL CARBAYS & NO  
PARKING LINE MARKING FOR LANEWAYS**

FILE NO: ENG03  
 DRAWING NUMBER: STD-R09 REVISION: C