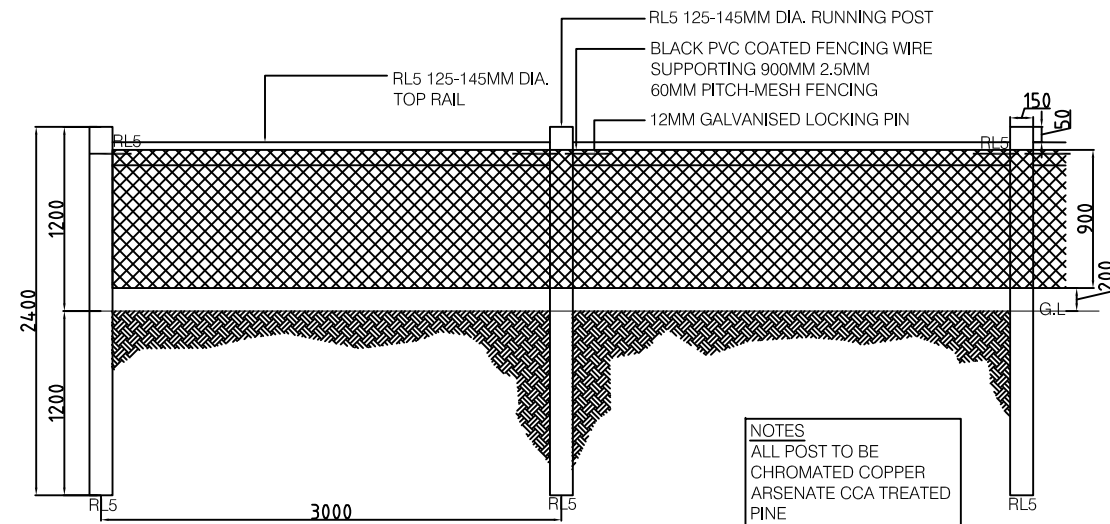
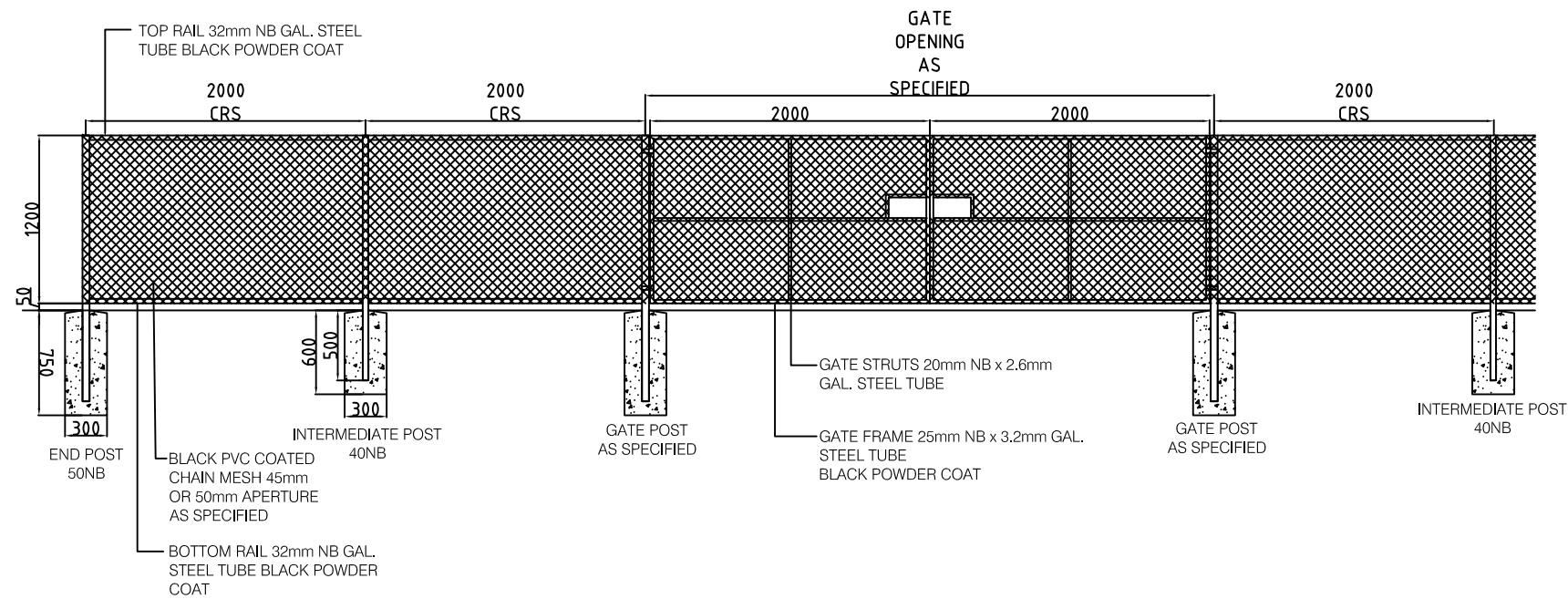


A URBAN POST AND RAIL FENCING  
SECTION N.T.S.



NOTES  
ALL POST TO BE CHROMATED COPPER ARSENATE CCA TREATED PINE

B CONSERVATION FENCING  
SECTION N.T.S.



C SPORTSFIELD FENCE  
SECTION N.T.S.

ASSOCIATE CONSULTANT:



PROJECT:

STANDARD DETAILS  
FENCING AND GATES

PHONE: (08) 9439 0200  
FAX: (08) 9439 0222  
EMAIL: admin@kwinana.wa.gov.au  
WEB: http://www.kwinana.wa.gov.au

ADDRESS: Cnr Gilmore Avenue and Sulphur Road, Kwinana WA 6167

SCALE: AS SHOWN (A1)

DESIGN: NKJ  
DRAWN: NKJ  
CHECK: R.N.  
DATE: 04/21

AUTHORISED (MANAGER ENGINEERING SERVICES)

R.NAJFZADEH

DRAWING TITLE

STANDARD DETAILS  
FENCING

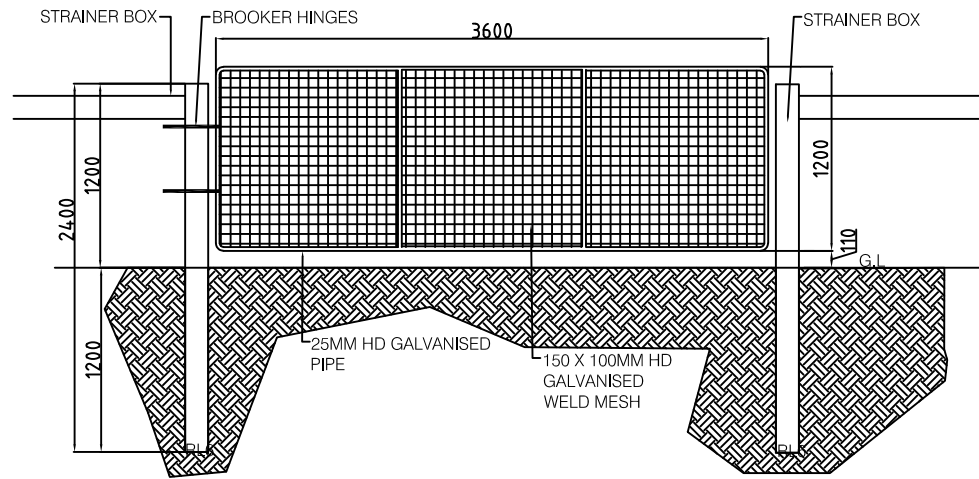
FILE NO. ENG

DRAWING NUMBER  
STD- LS-F01

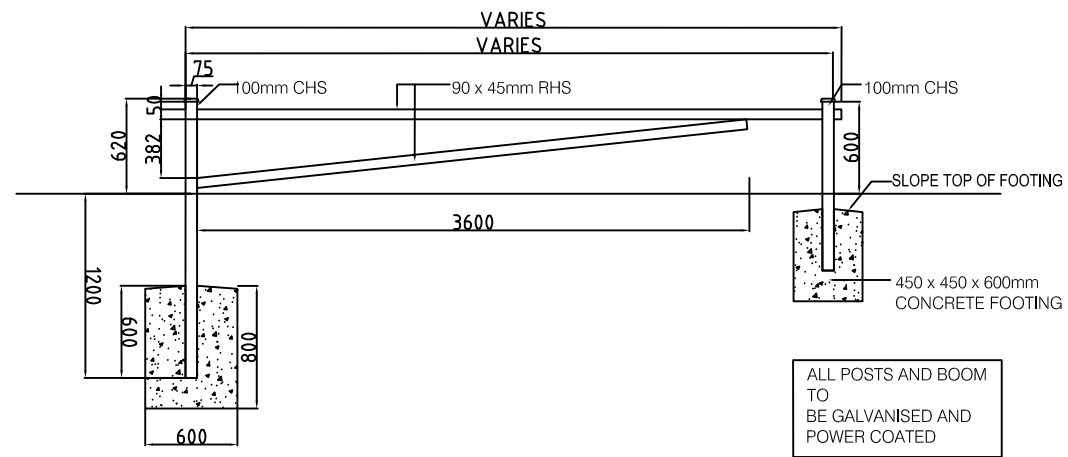
REVISION

-

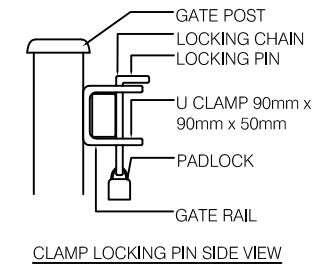
REV	DATE	DESCRIPTION	DRAWN



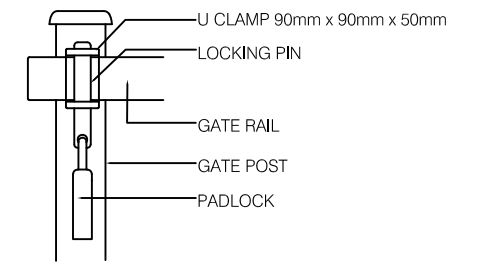
D RESERVE VEHICLE ACCESS GATE  
SECTION N.T.S.



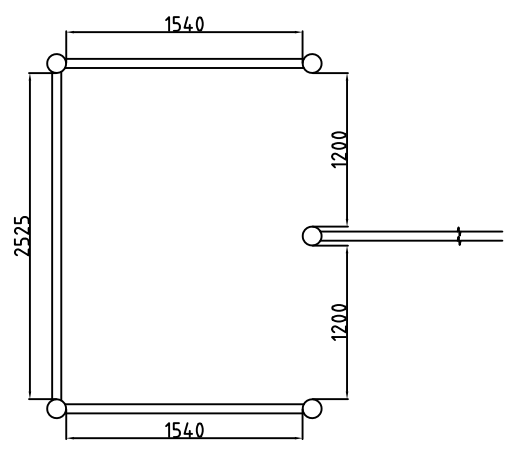
B GENERAL BOOM GATE  
SECTION N.T.S.



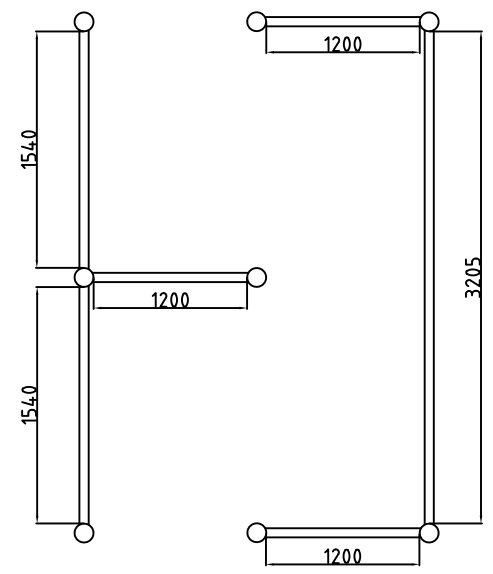
CLAMP LOCKING PIN SIDE VIEW



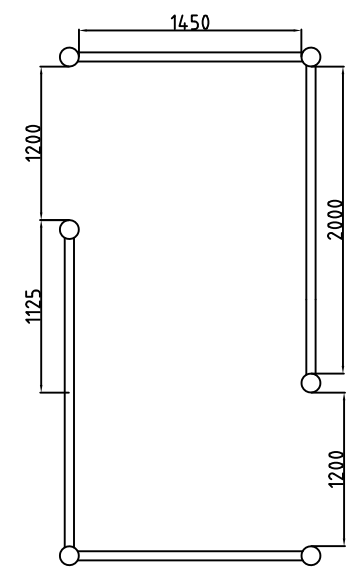
CLAMP LOCKING FRONT SIDE VIEW



C CHICANE



T CHICANE



Z CHICANE

F CHICANE TYPES  
SECTION N.T.S.

REV	DATE	DESCRIPTION	DRAWN

ASSOCIATE CONSULTANT:



PROJECT: STANDARD DETAILS  
FENCING AND GATES

PHONE: (08) 9439 0200 ADDRESS: Cnr Gilmore Avenue and Sulphur Road, Kwinana WA 6167

FAX: (08) 9439 0222

EMAIL: admin@kwinana.wa.gov.au

WEB: http://www.kwinana.wa.gov.au

SCALE: AS SHOWN (A1)

DESIGN: NKJ CHECK: R.N.

DRAWN: NKJ DATE: 04/21

AUTHORISED (MANAGER ENGINEERING SERVICES)

R.NAJFZADEH

DRAWING TITLE: STANDARD DETAILS GATES AND CHICANES

FILE NO. ENG \_\_\_\_\_

DRAWING NUMBER: STD- LS-F02

REVISION: -