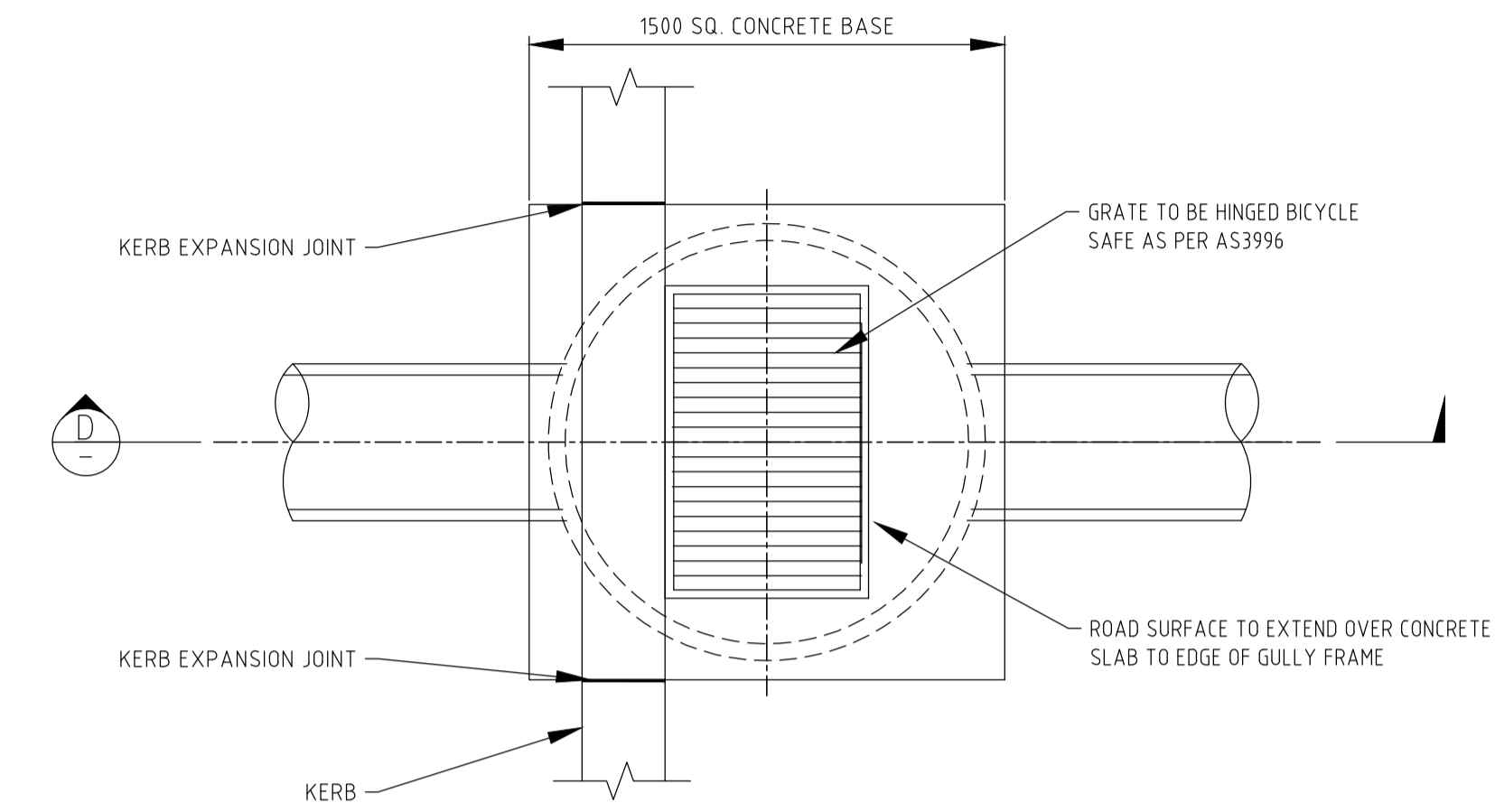
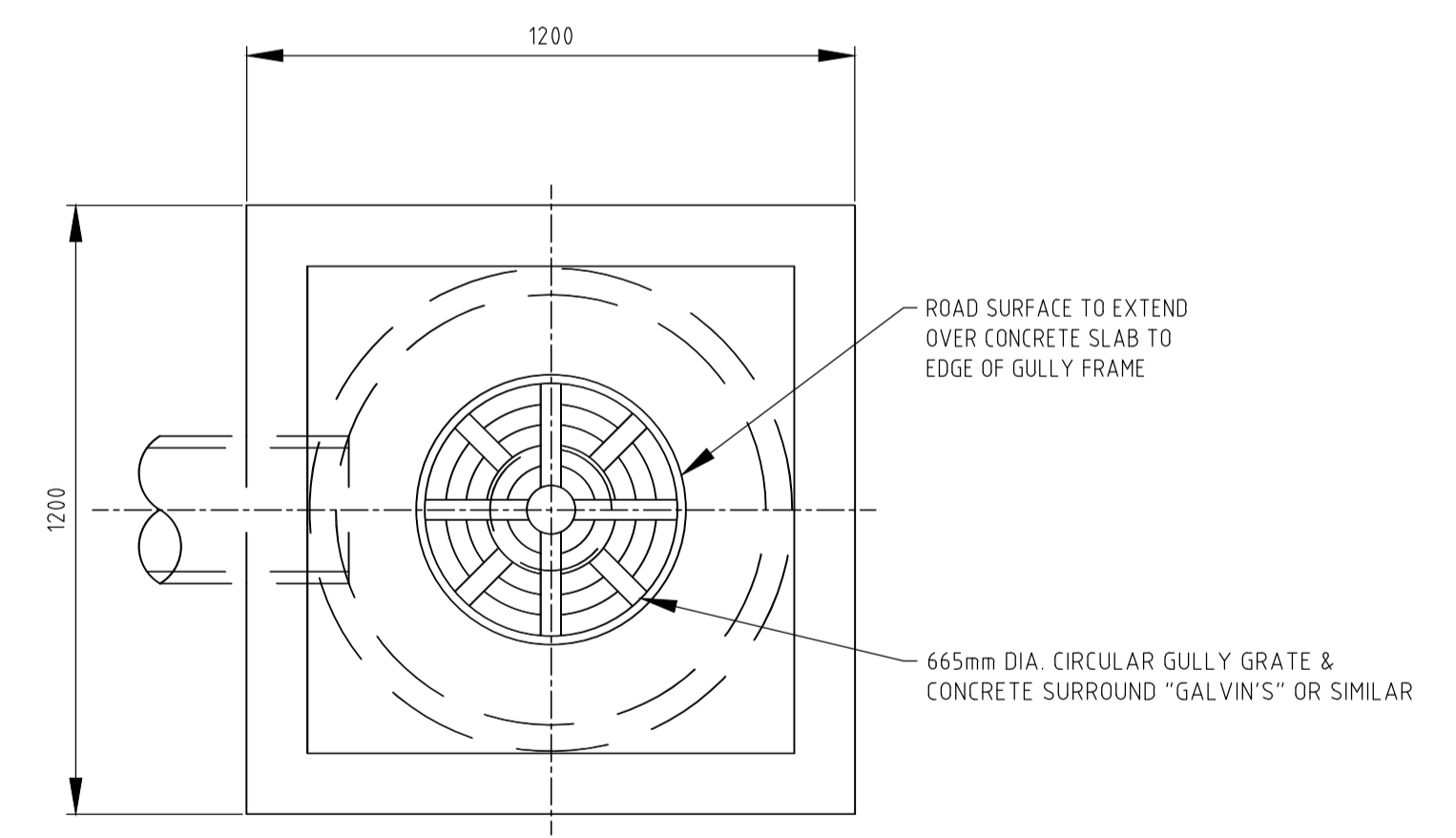


SECTION-D
N.T.S



GULLY GRATE-PLAN VIEW
N.T.S



CIRCULAR GULLY PIT (USE IN LANEWAYS)
N.T.S

NOM. LINER SIZE (mm)	PIPE SIZE MAX. (mm)	LINER TYPE
φ1050	φ450	CONCRETE
φ1200	φ600	CONCRETE
φ1500	φ750	CONCRETE
φ1800	φ900	CONCRETE

FOR PIPES φ1200 AND LARGER INSTALL A CUSTOM CHAMBER TO SUIT.

LINER SIZE (mm) MIN.	SOAKHOLE DIAMETER (mm)
1050	600
1200	600
1500	900
1800	1200

NOTES:

- CONCRETE TO BE 20mm NOM AGGREGATE AND HAVE A MINIMUM COMPRESSIVE STRENGTH AT 28 DAYS OF 20MPa FOR INSITU BASE AND 40MPa FOR PRECAST UNITS.
- ALL GRATES SHALL BE TRAFFICABLE CLASS "D" IN ACCORDANCE WITH AS1554.1. ALL WELDS TO BE IN ACCORDANCE WITH AS1554.1 AND FRAMES TO BE GALVANISED IN ACCORDANCE WITH AS1650.
- MORTAR TO BE 3:1 SAND-CEMENT MIXTURE.
- STEP IRONS TO BE INSTALLED IN PITS WHERE THE DEPTH FROM COVER TO TOP OF BASE EXCEEDS 1200mm. STEP IRONS TO BE LOCATED ON THE SIDE WITH LEAST INTERFERENCE FROM PIPES IN ALL JUNCTION PITS, GULLY'S, SIDE ENTRY AND/OR COMBINATION PITS. THIS IS TO ENSURE STEP INTERVALS AREN'T COMPROMISED AND ACCESSIBILITY IS MAINTAINED.
- SUBGRADE TO BASE TO BE COMPACTED TO 95% M.M.D.D PRIOR TO PLACING OF BASE.
- BACKFILL SURROUNDING PIT TO BE TO 95% M.M.D.D.
- ALL PITS TO HAVE A WEEP HOLE IN ACCORDANCE WITH TABLE B UNLESS IN HIGH GROUND WATER AREAS. IN HIGH GROUNDWATER AREAS THE BASE AND PIT MUST BE SEALED AND BENCHED.
- ALL PITS TO BE TRAPPED WITH MINIMUM 300mm DEPTH BELOW PIPE INVERT.
- PIPES TO BE FINISHED FLUSH WITH INSIDE OF LINER AND MADE GOOD WITH MORTAR.

REV	DATE	DESCRIPTION	DRAWN
D	06/22	DRAWING NOTE 4 AMENDED	J.M
C	06/19	REVIEW COMPLETED & DRAFTING AMENDMENTS MADE	J.M
B	06/18	AGGREGATE SIZE AMENDED FROM 20mm TO 4.0mm	J.M
A	05/17	ADOPTED BY CITY OF KWINANA	J.M

ASSOCIATE CONSULTANT:



PROJECT: **STANDARD DETAILS TYPICAL GULLY GRATE**

PHONE: (08) 94 39 0200 FAX: (08) 94 39 0222 EMAIL: admin@kwinana.wa.gov.au WEB: http://www.kwinana.wa.gov.au

ADDRESS: Cnr Gilmore Avenue and Sulphur Road, Kwinana WA 6167

SCALE: **N.T.S (A1)**

DESIGN: S.S CHECK: R.N

DRAWN: J.M DATE: 05/17

AUTHORISED (MANAGER ENGINEERING SERVICES): **R.NAJAFZADEH**

DRAWING TITLE: **STANDARD DETAILS TYPICAL GULLY GRATE**

FILE NO.: **ENG03**

DRAWING NUMBER: **STD-D06** REVISION: **D**